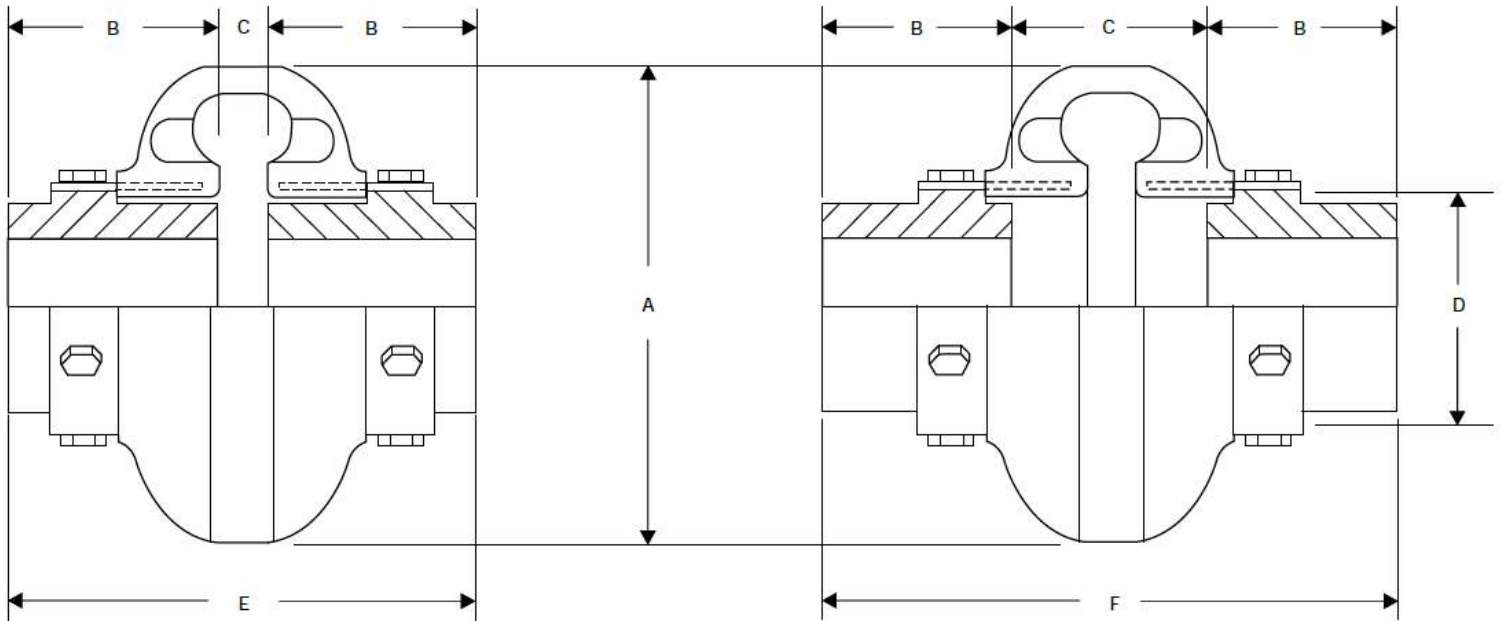
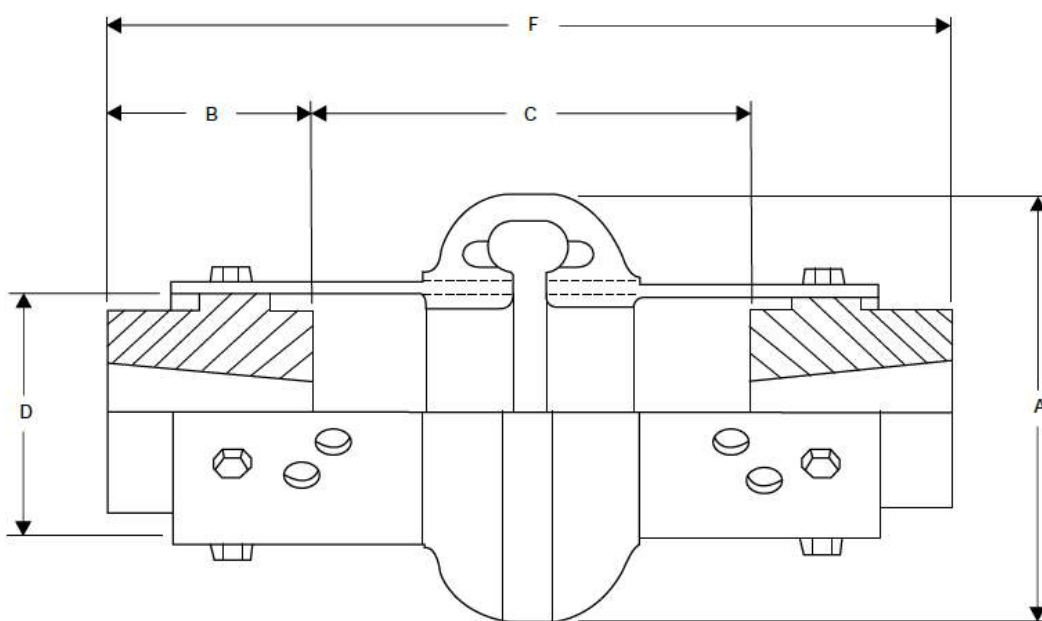


# Acoplamentos Max Dynamic - Standard



Tam. Size	Torque Torque (N.m)	Furo Max. Max. Bore (mm)	Rotação Max. Max. Rotation (rpm)	Potencia Nominal Power Rating (kw/rpm)	Dimensões em mm / Dimensions in mm								Peso / Weight (kg)	
					A	B	C		D	E		F	Somente Elemento *SSH only	Somente *SSH only
							Diâmetro Externo out diameter	Compr. do Cubo hub length		Espaç. min. do eixo Min. shaft spec.	Espaç. max. do eixo Max. shaft spec.			
D-2	21,58	28	7,500	0.0023	89	24	35	47	47	83	95	0.34	0.52	
D-3	41,20	34	7,500	0.0043	102	37	9	47	59	83	121	0.42	1.27	
D-4	62,78	42	7,500	0.0066	116	37	9	47	66	83	121	0.47	1.66	
D-5	107,91	48	7,500	0.0110	137	45	10	52	80	100	142	0.85	3.23	
D-10	163,83	55	7,500	0.0170	162	45	11	53	93	101	143	1.15	4.30	
D-20	261,93	60	6,600	0.0270	184	50	15	63	114	115	163	1.61	6.86	
D-30	413,00	75	5,800	0.0430	210	56	12	68	138	124	180	2.42	10.58	
D-40	621,95	85	5,000	0.0660	241	61	12	74	168	134	196	3.08	17.20	
D-50	865,24	90	4,200	0.0900	279	69	12	86	207	150	224	4.09	24.24	
D-60	1.412.64	105	3,800	0.1480	318	80	11	99	222	171	259	6.67	32.72	
D-70	2.491.74	120	3,600	0.2620	356	85	18	109	235	189	281	8.64	38.47	
D-80	4.463.55	155	2,000	0.4670	406	114	17	149	286	245	377	13.15	89.65	
D-100	9.613.80	171	1,900	1.0000	533	140	44	95	359	324	375	29.50	154.50	
D-120	19.237.41	190	1,800	2.0000	635	152	57	124	448	362	429	49.00	234.00	

## Acoplamentos Max Dynamic - Spacer



Tam. Size	Torque Torque (N.m)	Furo Max. Max. Bore (mm)	Rotação Max. Max. Rotation (rpm)	Potência Nominal Power Rating (kw/rpm)	Dimensões em mm / Dimensions in mm							Peso / Weight (kg)
					A	B	C		D	F		
					Diametro Externo <small>out diameter</small>	Compr. do Cubo <small>hub length</small>	Espaço. min. do eixo <small>Min. shaft spec.</small>	Espaço. max. do eixo <small>Max. shaft spec.</small>	Diametro do Cubo <small>hub diameter</small>	Comprimento Total Total Length		
					Interno / <small>in</small>	Externo / <small>out</small>						
DS-2	21,58	28	7,500	0.0023	89	24	91	100	47	146	149	0.74
DS-3	41,20	34	7,500	0.0043	102	37	85	140	59	184	216	1.10
DS-4	62,78	42	7,500	0.0066	116	37	85	140	66	184	216	1.18
DS-5	107,91	48	7,500	0.0110	137	45	89	140	80	184	228	1.73
DS-10	163,83	55	7,500	0.0170	162	45	89	140	93	184	228	2.17
DS-20	261,93	60	4,800	0.0270	184	50	67	180	114	238	280	2.56
DS-30	413,00	75	4,200	0.0430	210	56	54	180	138	238	293	4.18
DS-40	621,95	85	3,600	0.0660	241	61	41	180	168	238	307	5.02
DS-50	865,24	90	3,100	0.0900	279	69	28	180	207	238	319	6.94
DS-60	1.412,64	105	2,800	0.1480	318	80	66	250	222	318	415	11.80
DS-70	2.491,74	120	2,600	0.2620	356	85	59	250	235	318	421	13.94
DS-80	4.463,55	155	1,800	0.4670	406	114	37	250	286	318	478	16.40